

PRODUCT SHEET



Alain Ellouz
.paris



CELINE[®] US

.édition

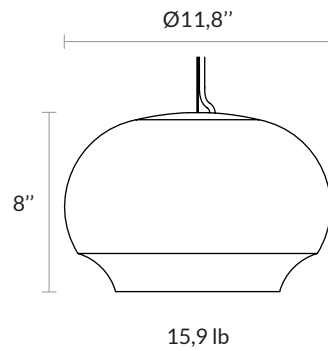


Alain Ellouz
.paris

CELINE[®]

.édition

PENDANT LIGHT



CELINE[®]
DESIGN BY ATELIER ALAIN ELLOUZ
MADE IN FRANCE

MATERIALS	Alabaster
ACCESSORIES	Mat white canopy Ø5,1" 78" stainless steel wire rope with transparent electric cable
SOCKET	E26 Recommended bulb : LED bulb E26 9W 2700K 800lm - Dimmable
REFERENCE	ED-0026 UL certified (also available in European version)
WARRANTY	2 years warranty



Noncontractual pictures

AAE CELINE FP 11/2020 - Registered design